

# Tumble dryer

## T5190LE

### Features and benefits

- Heat Pump tumble dryer with extremely low energy consumption
- No exhaust ducting needed: installation suitable anywhere at minimal cost
- Residual Moisture Control (RM) for an accurate drying result and low energy consumption
- Heat Pump Unit box which can easily be extracted from the machine for fast and convenient access to vital parts
- Large Door opening for easy loading and unloading
- Can operate in high ambient temperatures thanks to unique water cooling system
- Reversible door hanging for a convenient laundry flow
- Reversing drum for less tangling of large items
- Silent operation
- High productivity dryer with a very small footprint
- User-friendly ECL Easy Clean System for lint screen and filters: less maintenance and constant high performance
- Unique, ergonomic horizontal filter solution
- Minimal heating of the room – no ventilation needed
- **Compass Pro® microprocessor offers:**
  - Large and clear display for easy program selection
  - 6 quick selection buttons for programs and options
  - User friendly interface with language selection
  - USB connection for easy service access



Images shown are a representation of the product only and variations may occur.

Main specifications		T5190LE
Rated capacity, filling factor 1:22	kg/lb	8.6/19.2
Drum volume	litre	190
Drum diameter	mm	680
Rated input	kW	2.3
<b>Consumption data*</b>		
Drying time**	min	51
Energy consumption***	kWh	1.64
Evaporation	g/min	85
Energy/water evaporation	kWh/l	0.38
Energy/load of linen	kWh/kg	0.19
Water consumption****	litre	0-8
Average data for warm and cold start		
* At rated capacity 100% cotton load at 50% initial moisture dried to 0%.		
** Drying time for filling factor 1:44 is 31 min.		
*** With ambient temperature of 22°C, 50% humidity.		
**** Cooling water temperature of 22°C, water pressure 4.5 bar.		

Electrical connections					
Heating alternative	Main voltage		Heating power kW	Total power kW	Recommended fuse A
		Hz			
Electric heated	230-240V 1 ~	50	-	2.3	13
	380-400V 3 ~ *	50	-	2.5	10

Sound levels		T5190LE
Sound pressure level**	dB(A)	<70
Heat emission		
% of installed power, max		15
Shipping data***		
Weight	net, kg	188
Shipping volume	m <sup>3</sup>	1.20
Dimensions in mm		
A	Width	722
B	Depth	777
C	Height	1685
D		1408
E		1505
F		45
G		110
H		90
I		52
J		94
K		342
L		722
M		777
N		691
O		610
1	Operating panel	
2	Door opening $\varnothing$ 400 mm	
3	Electrical connection	
4	Drain (condensed water)	
5	Drain (cooling water)	
6	Water connection	

\* Possibility to change connection during installation, see installation manual.

\*\* A-weighted emission sound pressure level at workingstations.

\*\*\* Average data. Crated weight/shipping volume depends on configuration. Please contact logistics for exact measures.

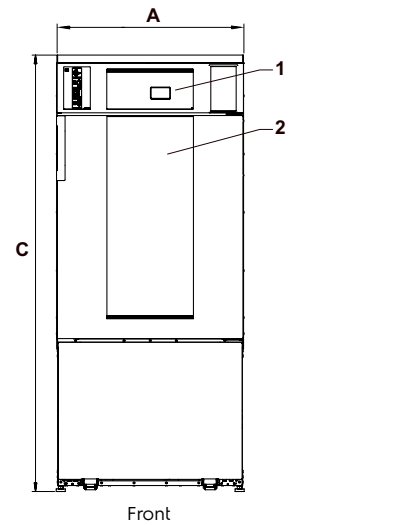
This product contains fluorinated greenhouse gases.

R134A: 1,350kg

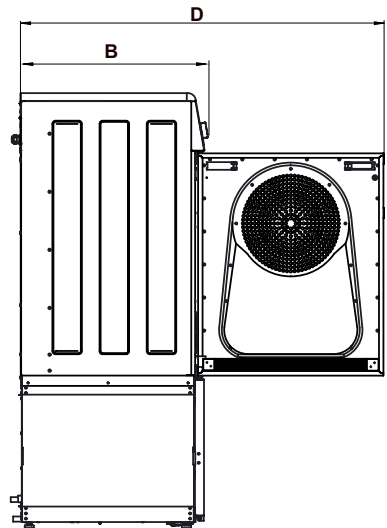
GWP 1430

CO<sub>2</sub> equivalent: 1,931 t

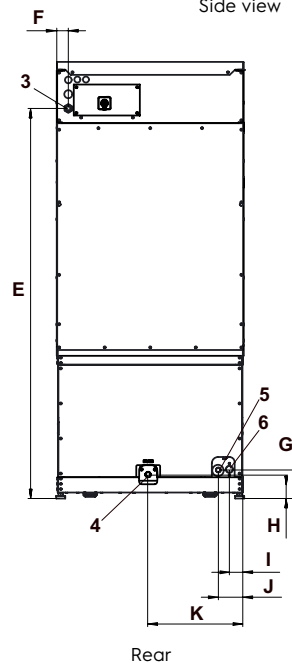
Hermetically sealed



Front



Side view



Rear